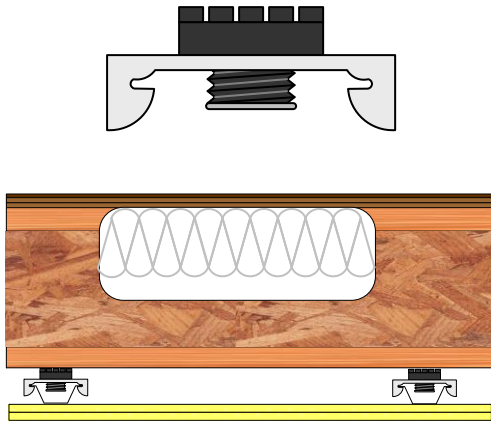
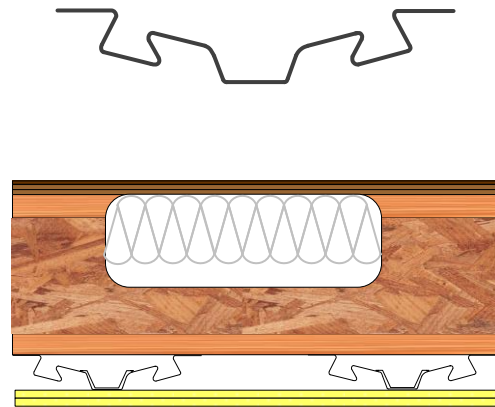




RSIC-1



Wave



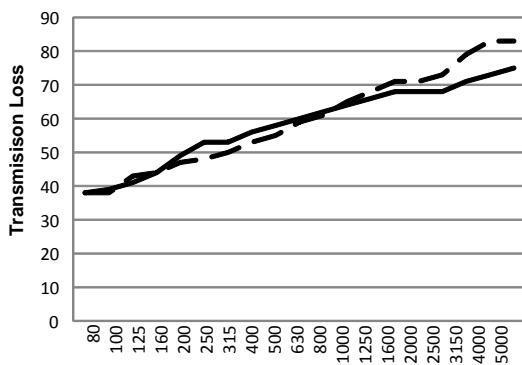
RSIC-1 Construction

- Snap and Go Flooring with 2mm Ecore mat
- Plywood 5/8"
- Waterproof Membrane (15lb Felt)
- Plywood 5/8"
- "1" Joist 12" Deep @ 16" OC
- Insulation Nominal ^"
- RSIC-1 Installed @ 16 x 48" OC
- 2 Layers 5/8" Fire Code "C" Gypsum Board

Wave Construction

- Engineered Hardwood Floor
- Kinetics IsoLayment BR- 3mm
- 3/4" Plywood Sheeting
- R-19 Batt Insulation
- 12" I-Joist @ 24" OC
- Kinetics Wave Hanger
- 7/8" Drywall Furring Channel
- 2 Layers 5/8" Type X Gypsum Board

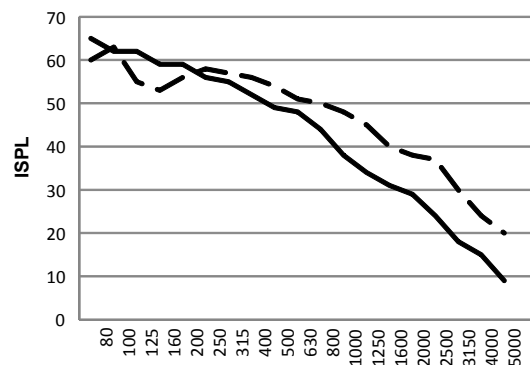
RSIC-1 & Wave STC



RSIC-1
STC 61

Wave
STC 60

RSIC-1 & Wave IIC



RSIC-1
IIC 58

Wave
IIC 57