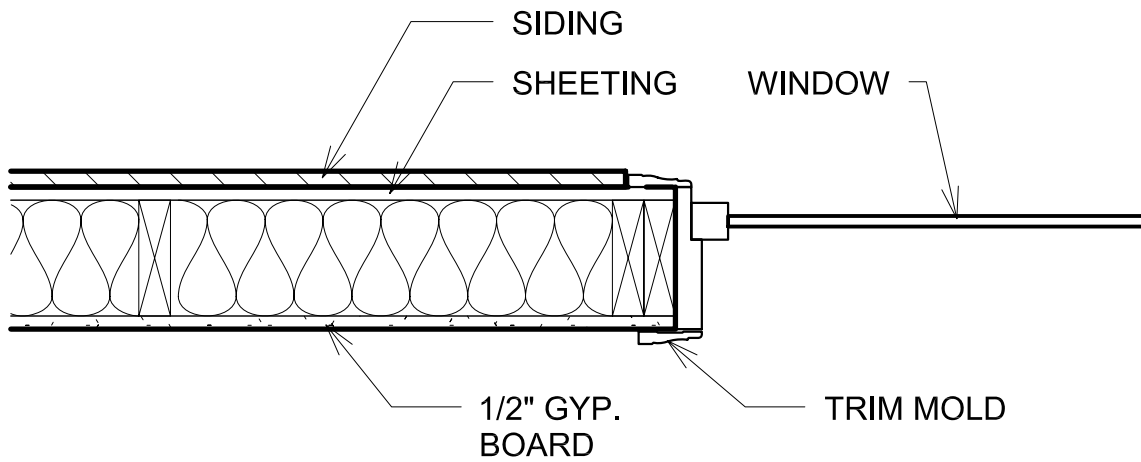
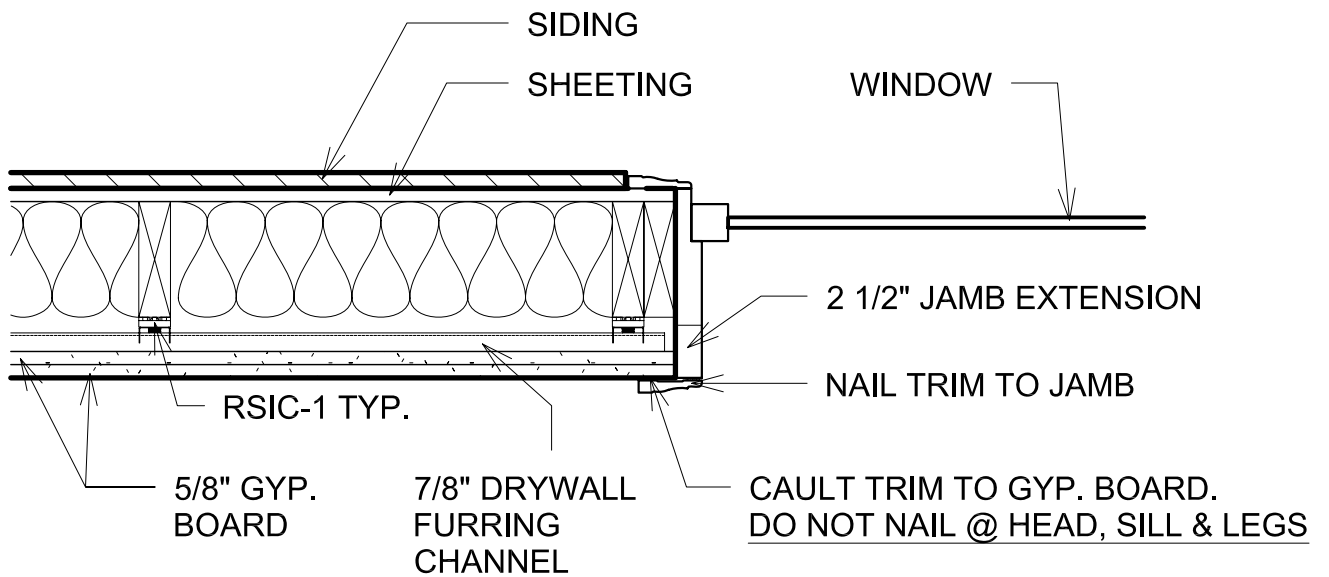


EXTERIOR - EXISTING



EXTERIOR PLAN VIEW



NOTE:
ADD JAMB EXTENSION TO WINDOW FRAME

NAIL TRIM TO JAMB

CAULK TRIM TO GYP BOARD

EACH LAYER OF GYPSUM BOARD MOUNTED
TO 7/8" 25 GAUGE FURRING CHANNEL