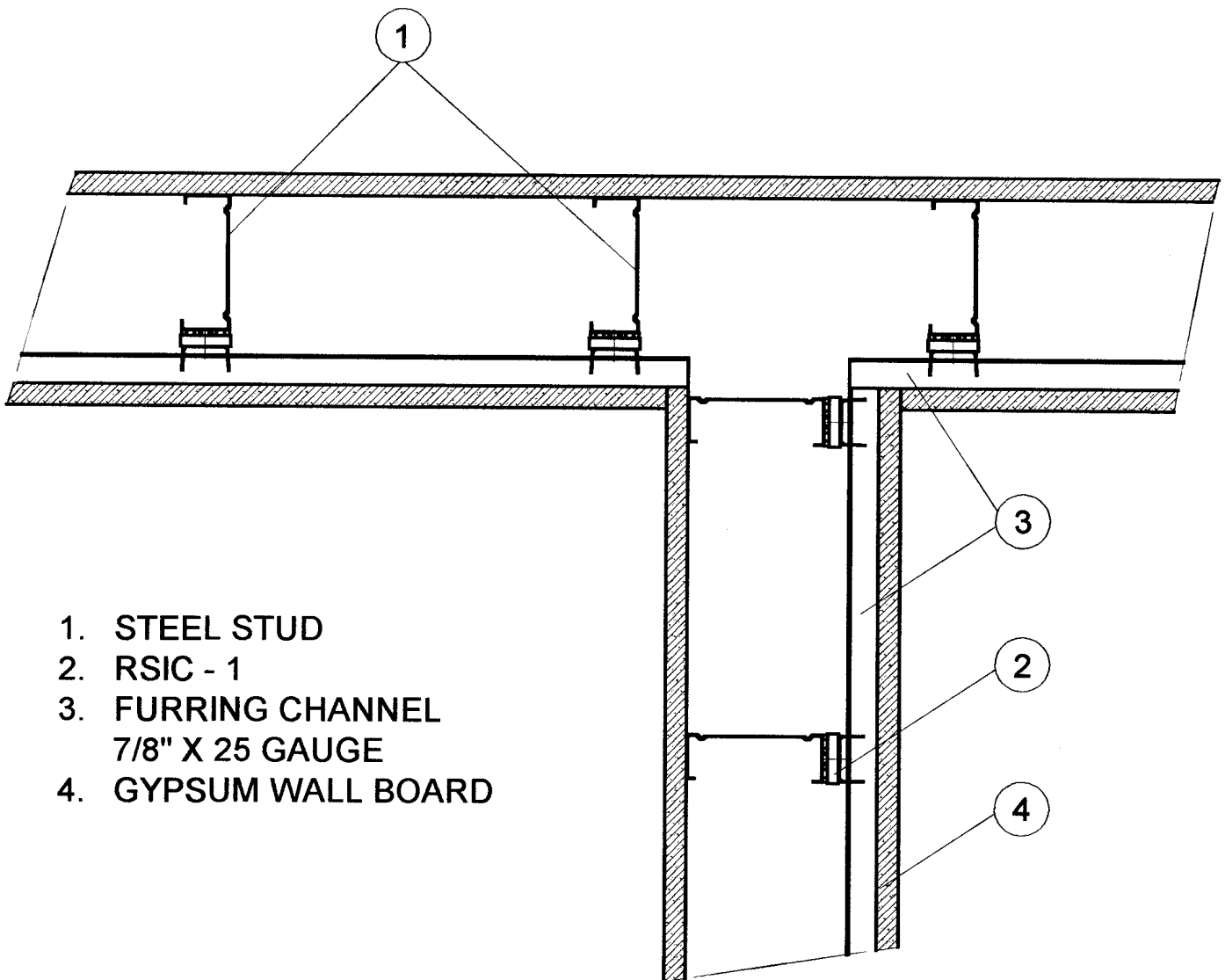


## WALL INTERSECTION STEEL STUD



1. STEEL STUD
2. RSIC - 1
3. FURRING CHANNEL  
7/8" X 25 GAUGE
4. GYPSUM WALL BOARD