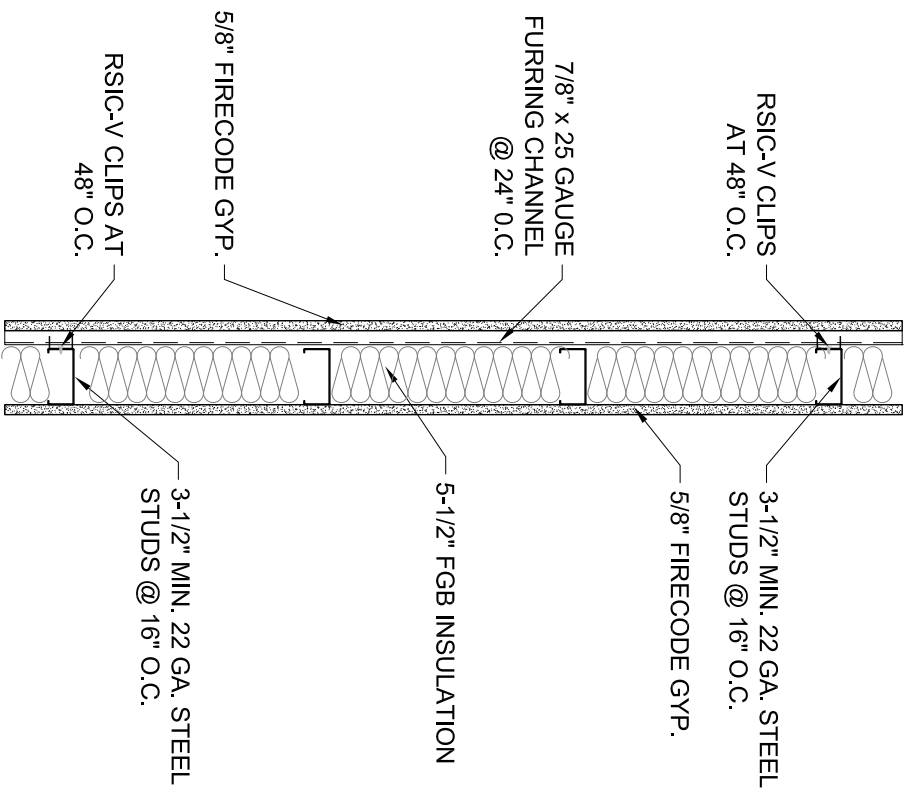
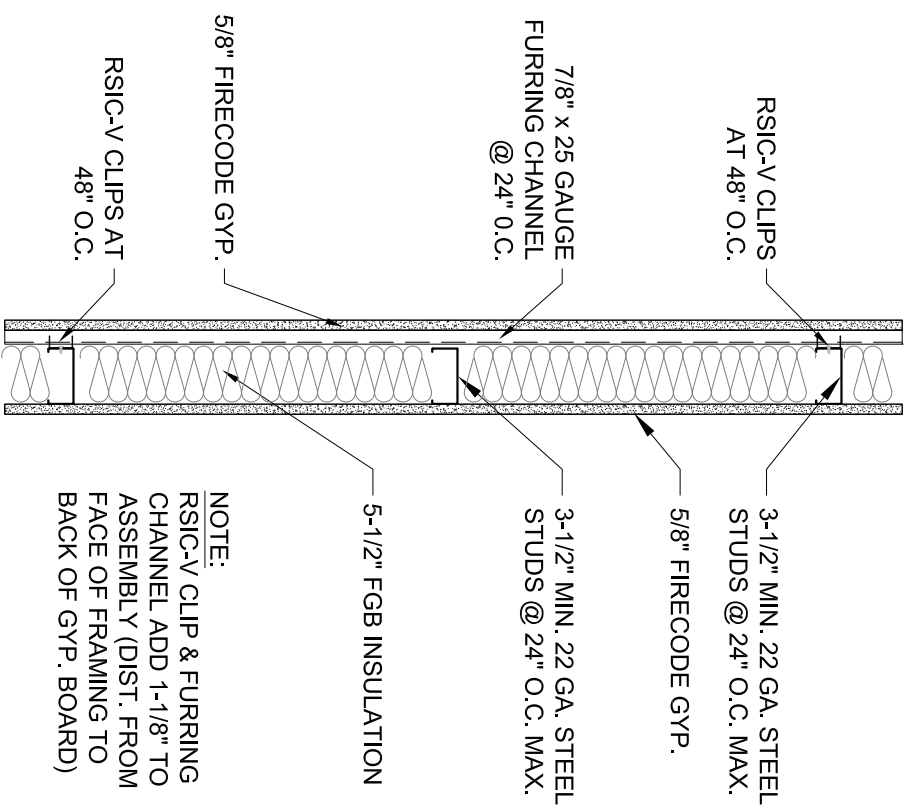


ONE HOUR - STC 58

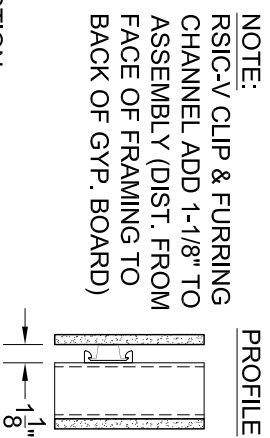


- ONE HOUR CONSTRUCTION**
- 5/8" FIRECODE GYP.
 - 7/8" x 25 GAUGE FURRING CHANNEL @ 24" O.C.
 - RSIC-V CLIPS @ 24" x 48" oc
 - 3-1/2" MIN. 22 GA. STEEL STUDS @ 16" oc
 - 5-1/2" FGB INSULATION
 - 5/8" FIRECODE GYP.

ONE HOUR STC 58



- ONE HOUR CONSTRUCTION**
- 5/8" FIRECODE GYP.
 - 7/8" x 25 GAUGE FURRING CHANNEL @ 24" O.C.
 - RSIC-V CLIPS @ 24" x 48" oc
 - 3-1/2" MIN. 22 GA. STEEL STUDS @ 24" oc MAX.
 - 5-1/2" FGB INSULATION
 - 5/8" FIRECODE GYP.



UL Fire Resistive Designs – 1 Hour - V477



PAC International, Inc.
 Phone: 866-774-2100 Web: www.pac-intl.com
 © 2011 PAC International, Inc. • All Rights Reserved.
 RSIC® is a registered Trademark of PAC International, Inc.

Last Revised:

4/21/2011

1 Hour Fire Rated Steel Wall Detail - UL V477
 (See UL.com for additional detail)