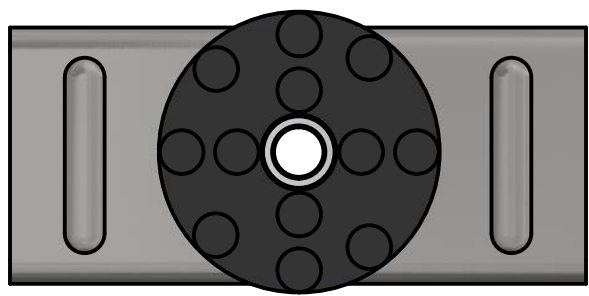


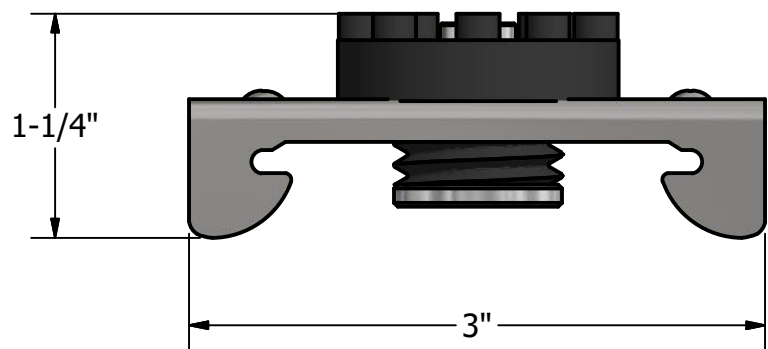
2

1



B

B

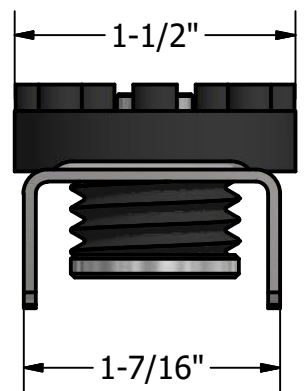


1-1/4"

3"

A

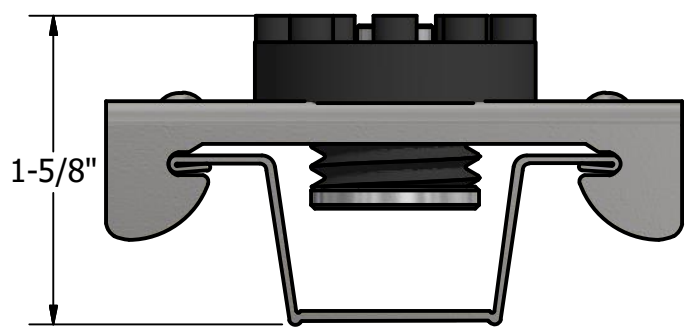
A



1-1/2"

1-7/16"

A



1-5/8"

A

RSIC-1
5/19/2021
SCALE

PAC
International

World Leader in
Noise Control
Solutions

1 : 1

2

1

A