

2

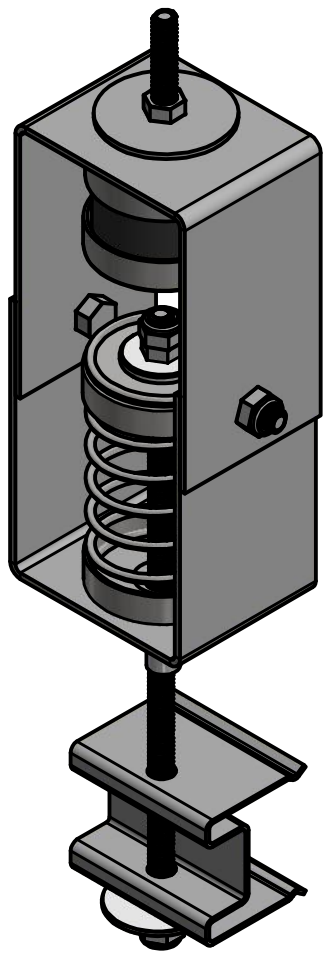
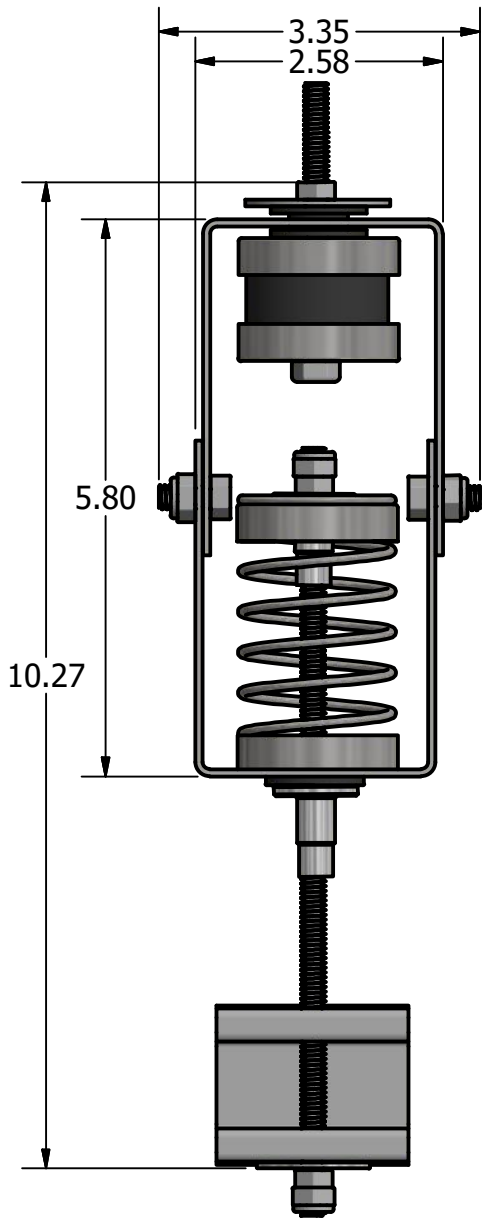
1

B

B

A

A



Free height of the spring is 3.25", Preload height is 2.75", and acoustical design load height is 2.25"

| Standard Ratings |       | Spring Coil |      |      |
|------------------|-------|-------------|------|------|
| Load             | Defl. | Color       | HT.  | O.D. |
| 10               | 1.00  | White       | 3.25 | 1.5  |
| 20               | 1.00  | Blue        | 3.25 | 1.5  |
| 30               | 1.00  | Green       | 3.25 | 1.5  |
| 40               | 1.00  | Red         | 3.25 | 1.5  |
| 80               | 1.00  | Silver      | 3.25 | 1.5  |

|                |             |  |
|----------------|-------------|--|
| RSIC-SI-FF-BRC |             | <b>World Leader in Noise Control Solutions</b> |
| 8/23/2018      |             |  |
| DRAWN PAC      |             |  |
| SIZE A         | SCALE 1 / 2 | REV  |

2

1

A