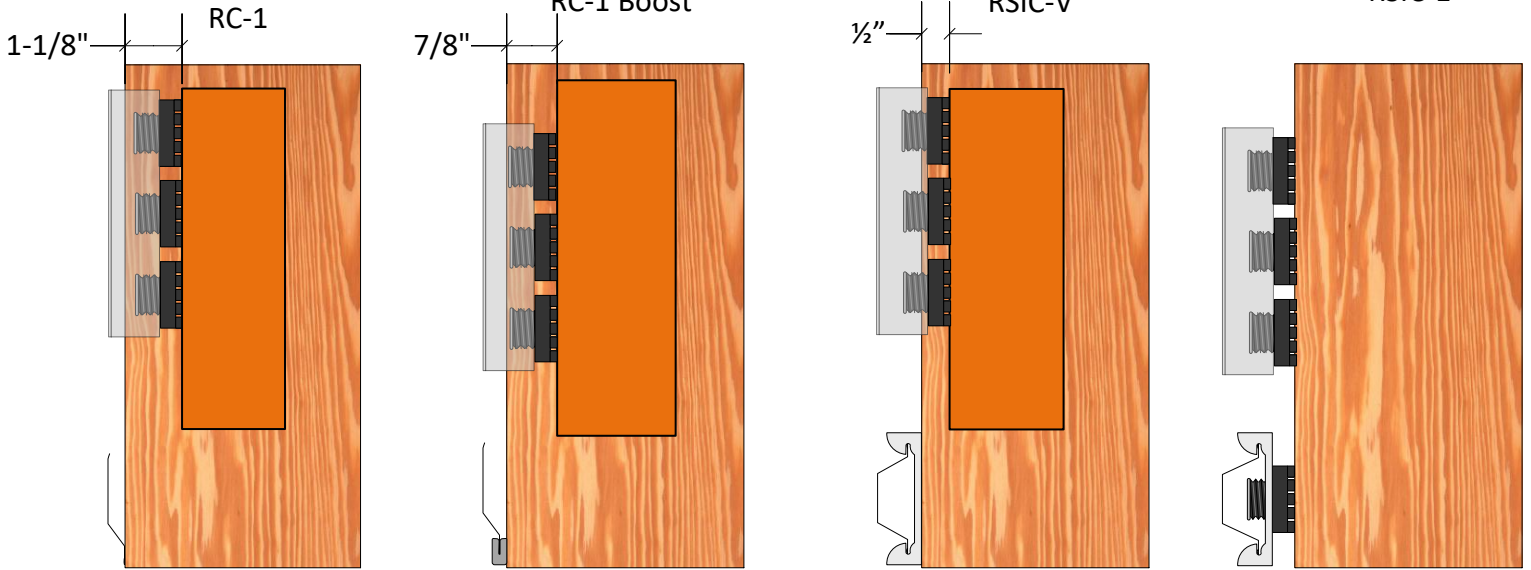
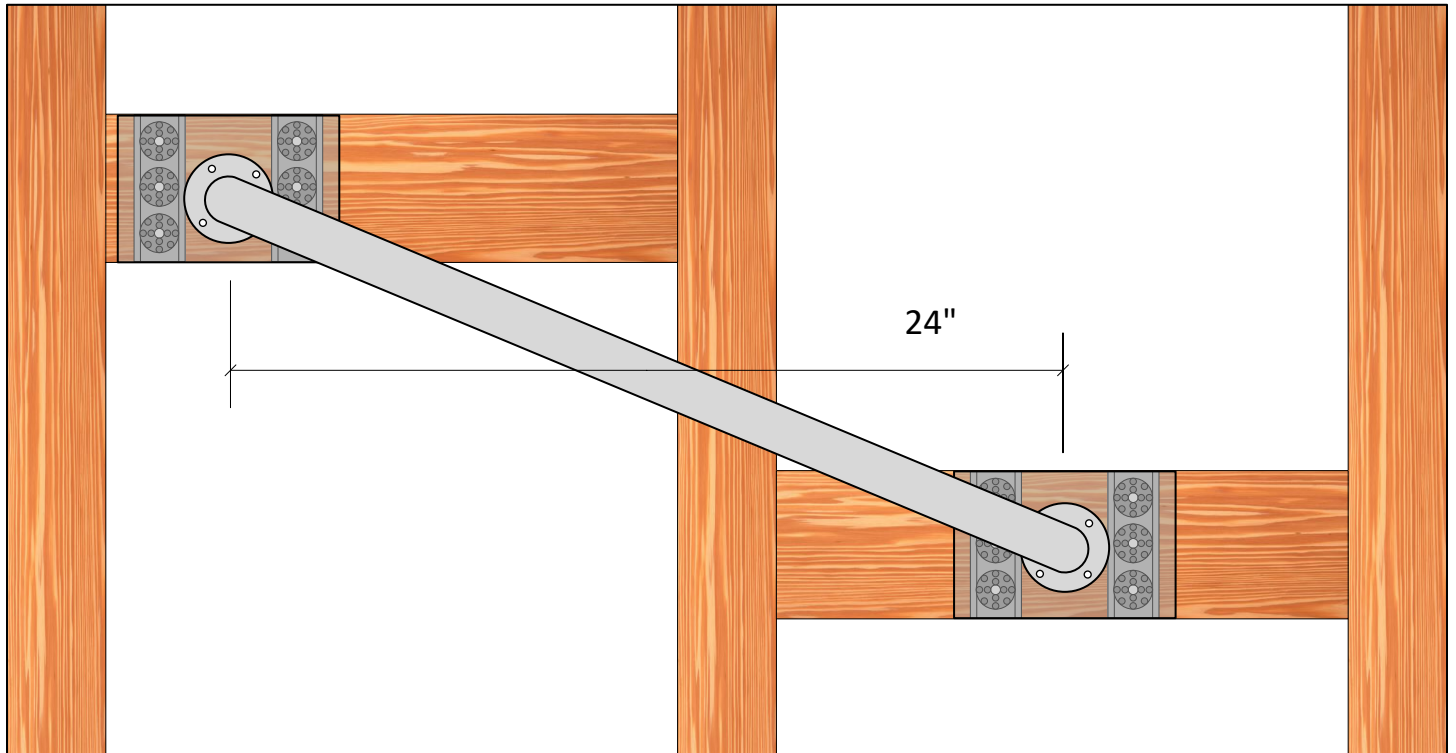




RSIC-1 Backer Offset Mount Side View



RSIC-1 Backer Offset Mount Front View



Total acoustical design load 576 when using the RSIC-1 Backer and 1,152 lbs when using the RSIC-1 Backer HD/DD



RSIC-1 Backer Offset Mount Front View.

Total acoustical design load 576 when using the RSIC-1 Backer and 1,152 lbs when using the RSIC-1 Backer HD/DD

