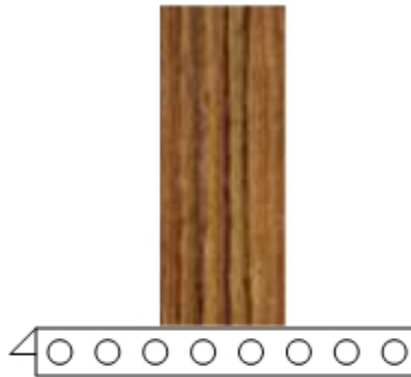


THE GARAGE DOOR SILENCER

NEW DESIGN

Keep Your Home Quiet With
THE GARAGE DOOR SILENCER

Old Noisy Installation



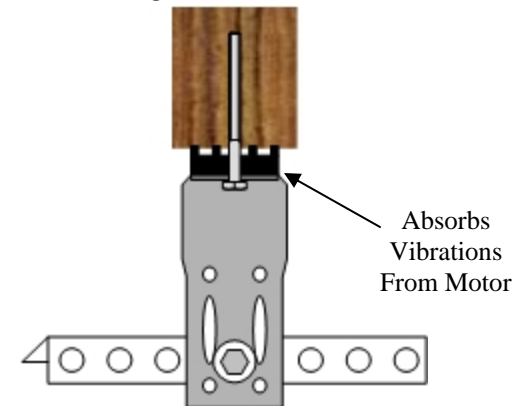
- Perfect for homes with rooms above or adjacent to your garage

- Full kit inside

- No other parts needed

- Easy to install

New Quiet Installation



New Technology

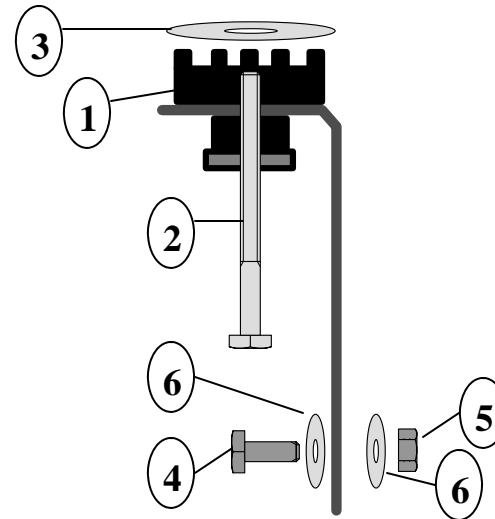
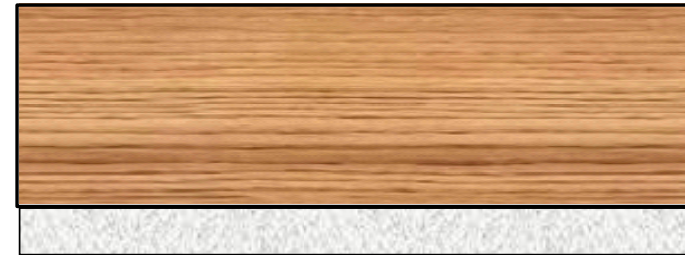
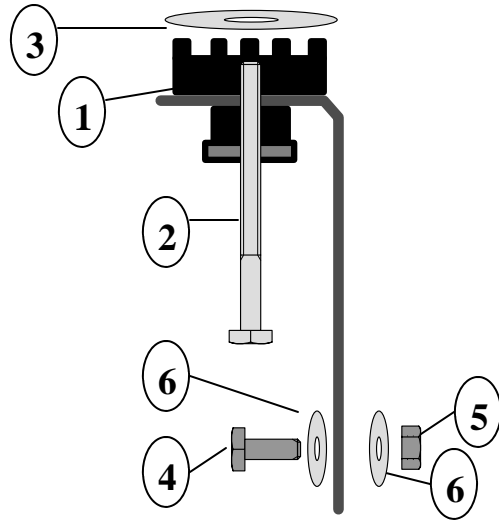
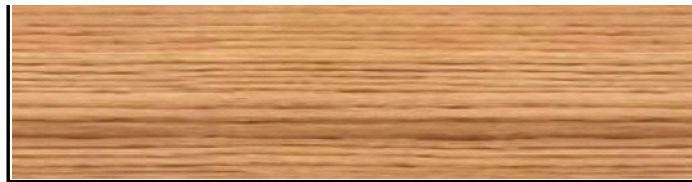
Minimizes garage door opener noise transmission

THE GARAGE DOOR SILENCER

Parts List:

- | | | | |
|---------|-----------------------------|---------|-------------------|
| 1. 2 EA | GARAGE DOOR SILENCERS (GDS) | 4. 2 EA | 3/4" Long Bolts |
| 2. 2 EA | 3" Hex Head Screws | 5. 2 EA | 7/16" Nyloc Nuts |
| 3. 2 EA | 1-1/2" Flat Washers | 6. 4 EA | 3/4" Flat Washers |

Garage Door Motor Isolator Parts list

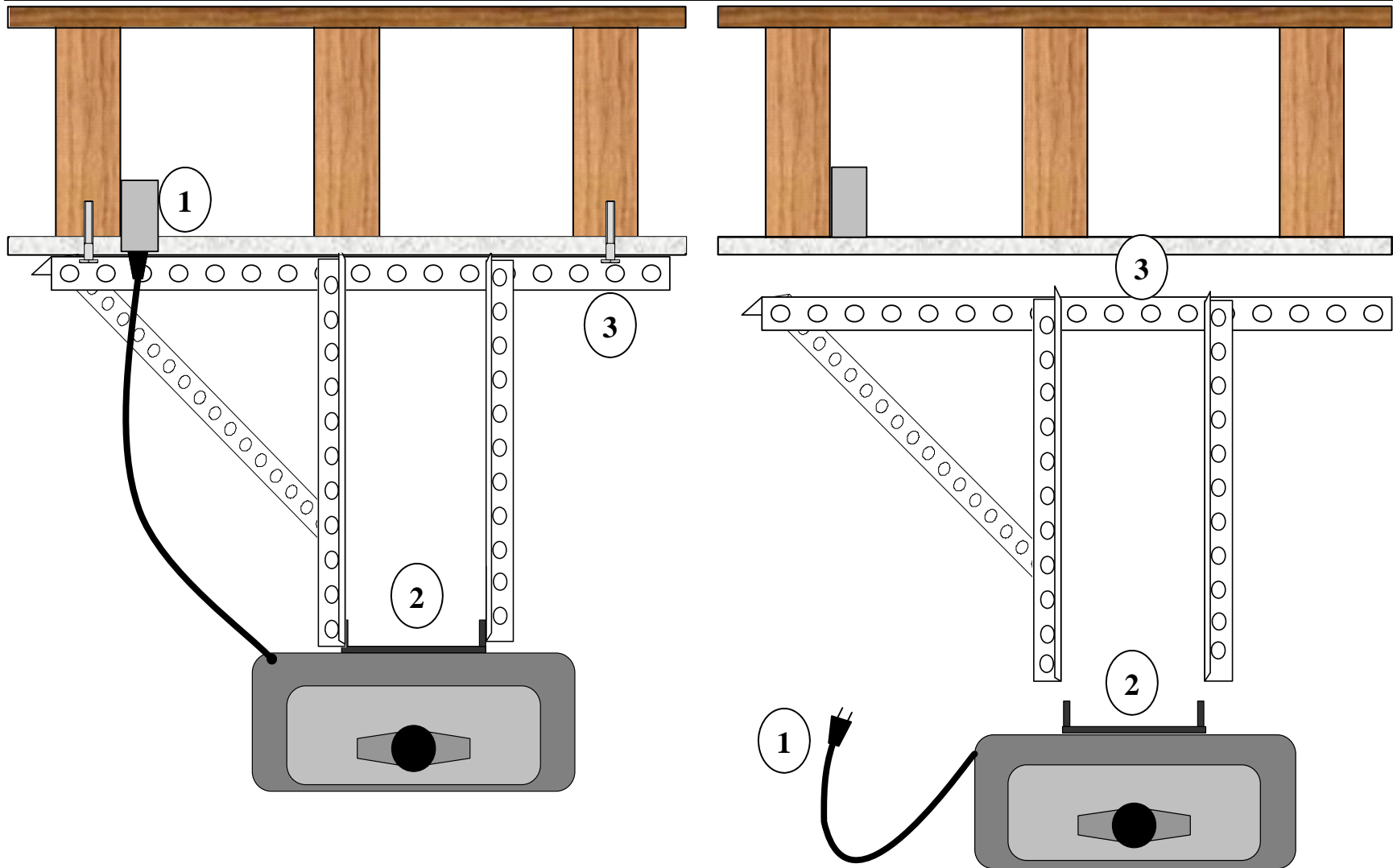


THE GARAGE DOOR SILENCER

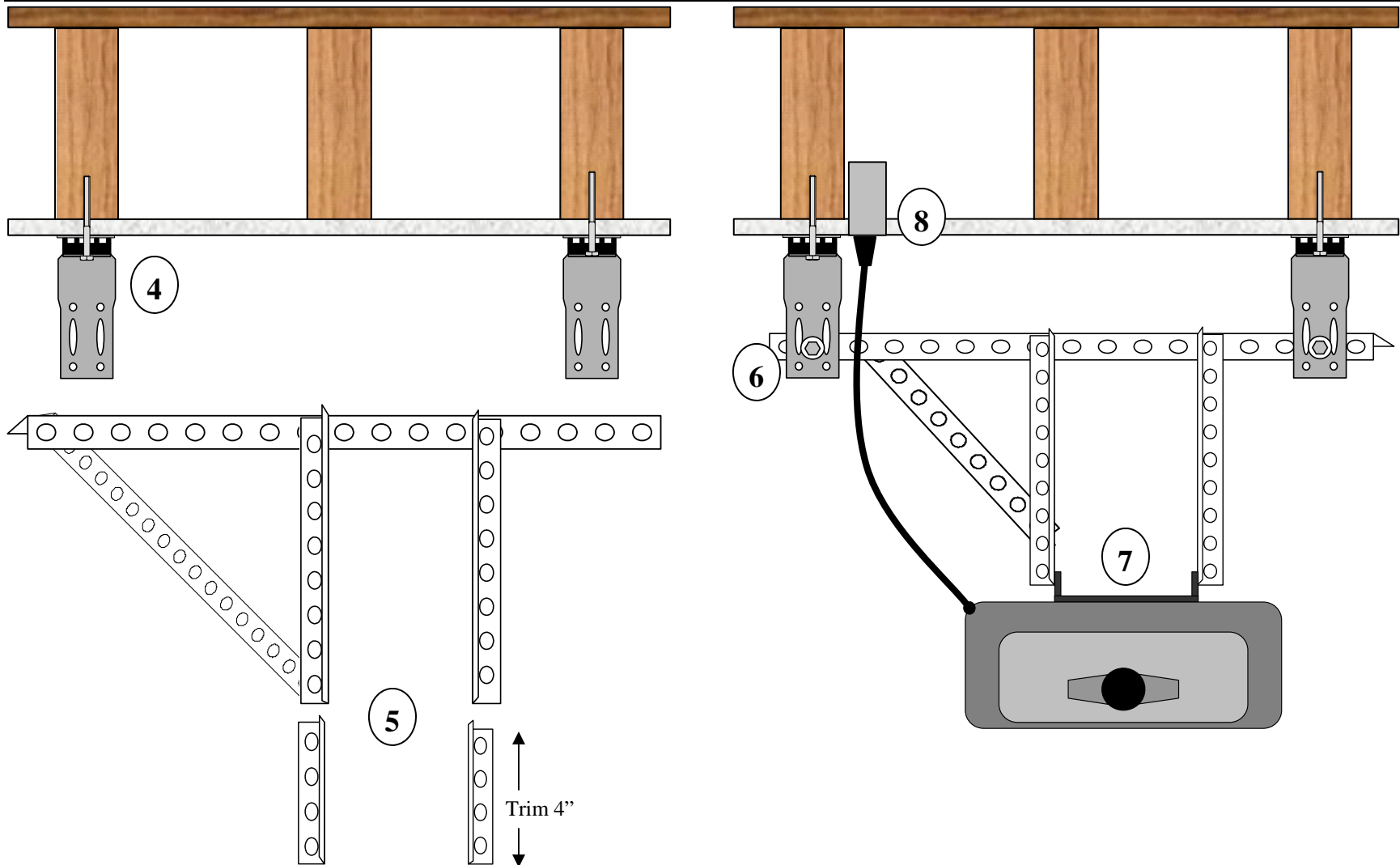
Installation Instructions: (Steps 1-3 needed only if you adding the GDS garage door motor isolator clips to an already existing garage door opener system)

1. Disconnect power from garage door opener motor.
2. Disconnect metal brackets from the existing garage door opener motor. (Support garage door opener motor with ladder.)
3. Disconnect metal brackets from ceiling
4. Install GARAGE DOOR SLINCERS using the 1-1/2" flat washers and the 3" hex head screws (screws need to be installed into the joist)
5. Trim 4" from the bottom of the metal support brackets to compensate for the 4" additional space that the GDS added.
6. Bolt the metal brackets from step 2 to the GDS isolators using the 3/4" bold, 3/4" flat washers, and the 7/16" nyloc nut.
7. Reinstall the garage door opener motor to the metal brackets using the original hardware.
8. Plug in your garage door opener motor.

THE GARAGE DOOR SILENCER



THE GARAGE DOOR SILENCER



THE GARAGE DOOR SILENCER

Garage door motor before kit installation

Garage door motor after kit installation

