

Acoustical Design Load Spring Deflection 1 Inch

RSIC-SI-FF-
BRC Compact

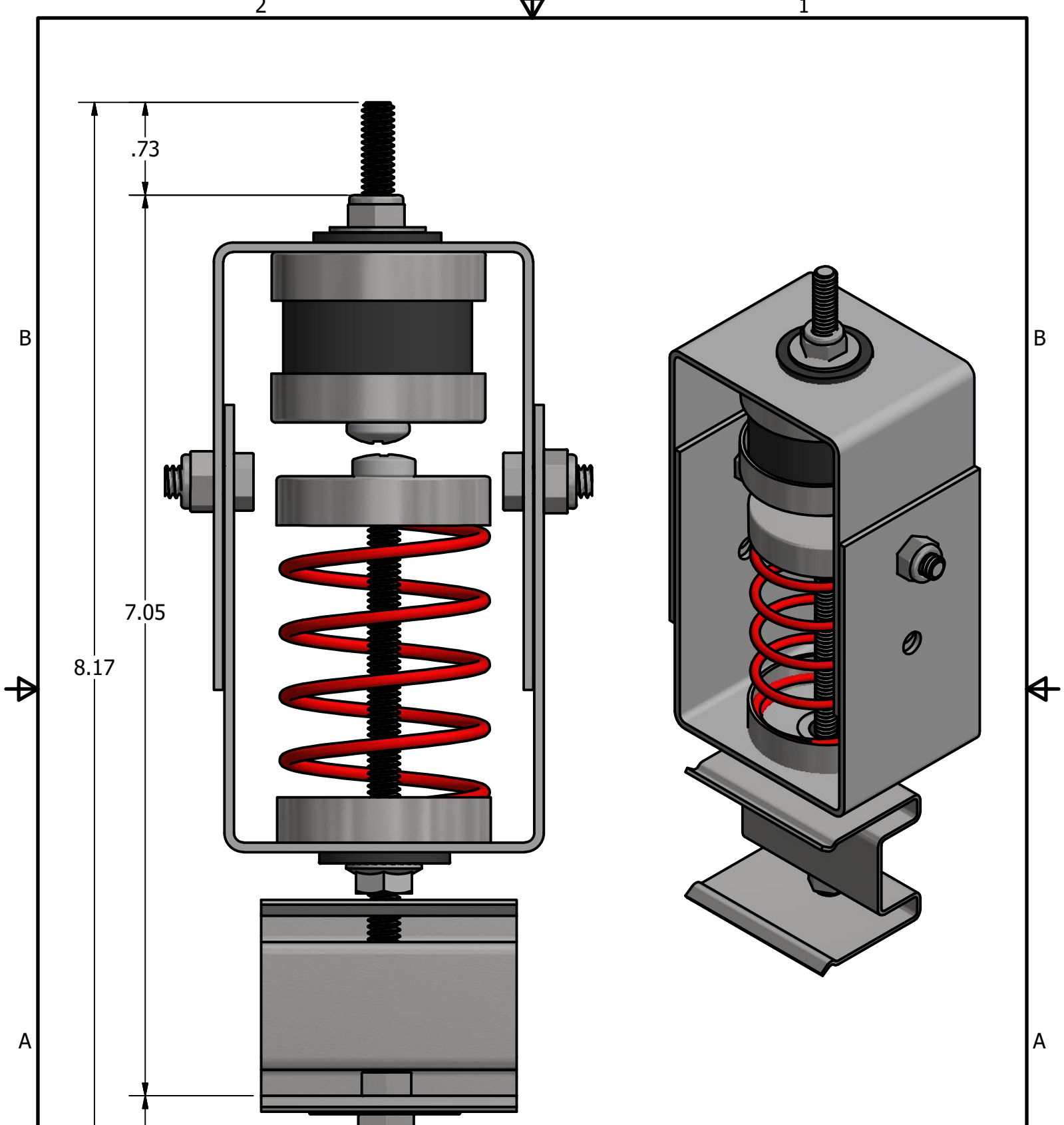
4/16/2021

DRAWN
PAC



World Leader in
Noise Control
Solutions

| | | |
|-----------|------------|-----|
| SIZE A | SCALE 1 | REV |
|-----------|------------|-----|



Acoustical Design Load Spring Deflection 1 Inch

RSIC-SI-FF-
BRC Compact

4/16/2021

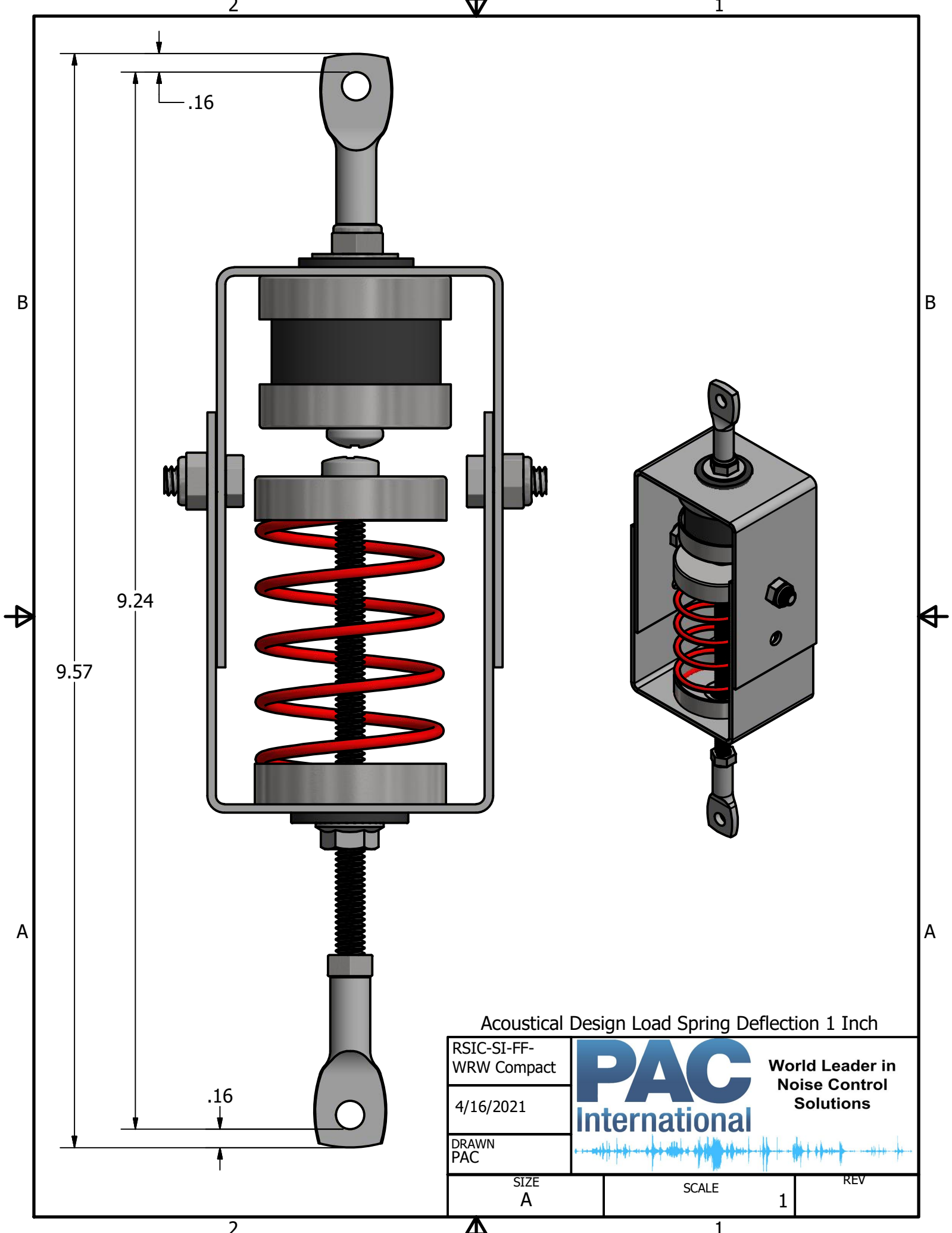
DRAWN
PAC




World Leader in
Noise Control
Solutions

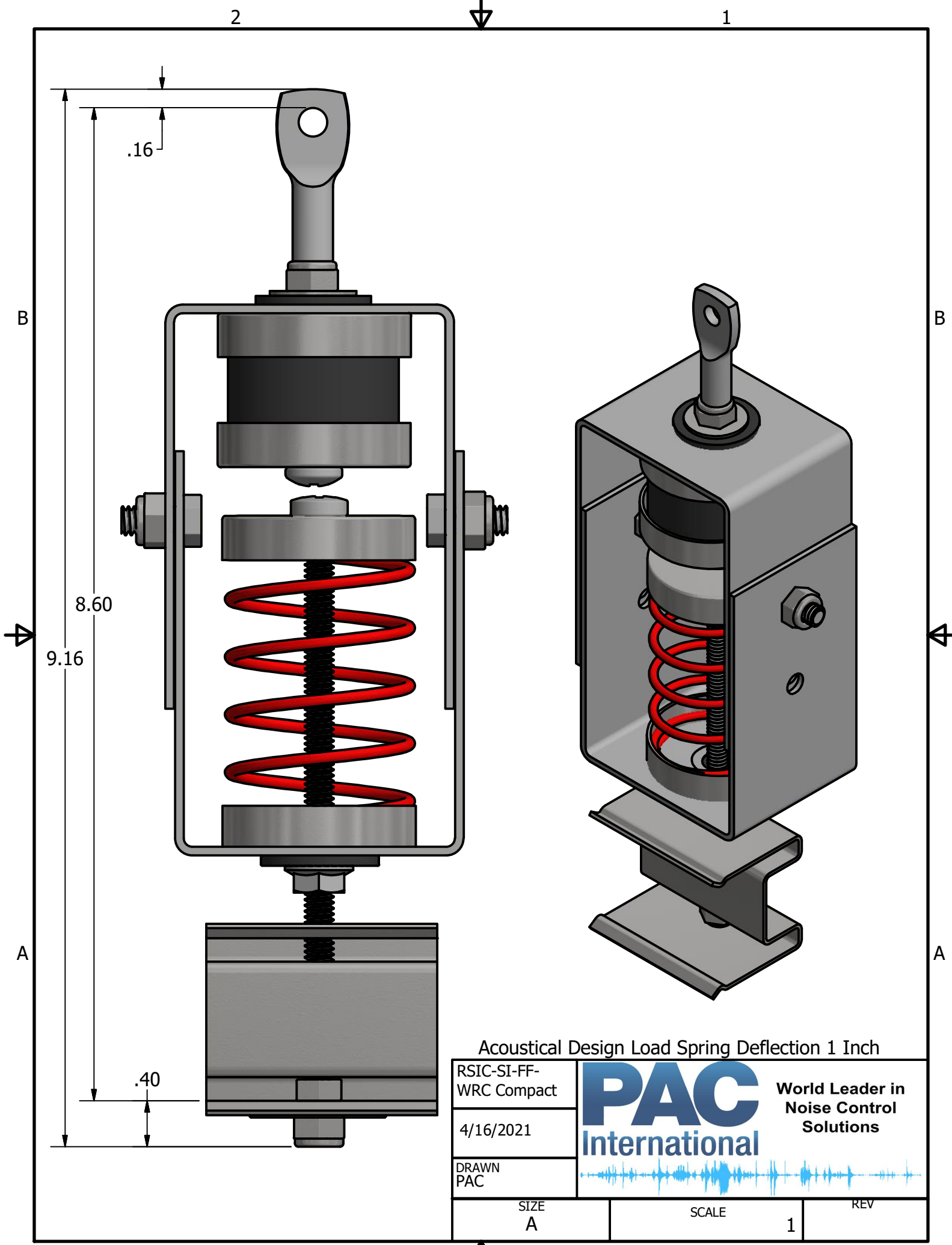


| | | |
|-----------|------------|-----|
| SIZE A | SCALE 1 | REV |
|-----------|------------|-----|



Acoustical Design Load Spring Deflection 1 Inch

| | | |
|------------------------|---|-----|
| RSIC-SI-FF-WRW Compact |  World Leader in Noise Control Solutions | |
| 4/16/2021 | | |
| DRAWN PAC |  | |
| SIZE A | SCALE 1 | REV |



Acoustical Design Load Spring Deflection 1 Inch

RSIC-SI-FF-
WRC Compact

4/16/2021

DRAWN
PAC

PAC
International

World Leader in
Noise Control
Solutions

SIZE
A

SCALE

1

REV